

NOVABOX

AUTOMATIC STATIONS FOR COLLECTING AND LIFTING WASTE WATER



Automatic stations for collecting and lifting domestic waste water from bath tubs, wash basins, showers and washing machines located in basements or below the level of the sewage network.

Equipped with a NOVA 300 electropump with 5 metres of power cable and plug mounted on a technopolymer plate, a 30-litre container in technopolymer and a check valve on delivery.

Supplied with pump already assembled, ready to use



Operating range: from 1 to 7,2 m³/h with head up to 6.9 metres

Liquid temperature range: +50°C

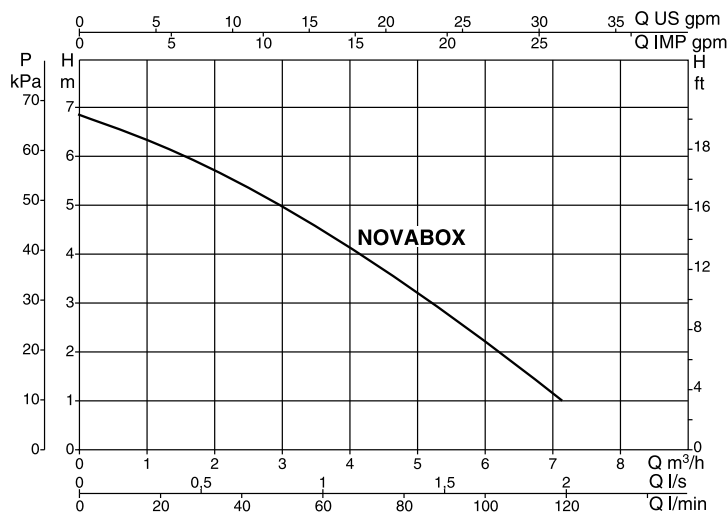
+90°C for a max. time of 3 min.

Pumped liquid: waste water free from solids and/or fibres

Pump motor protection level: IP 68

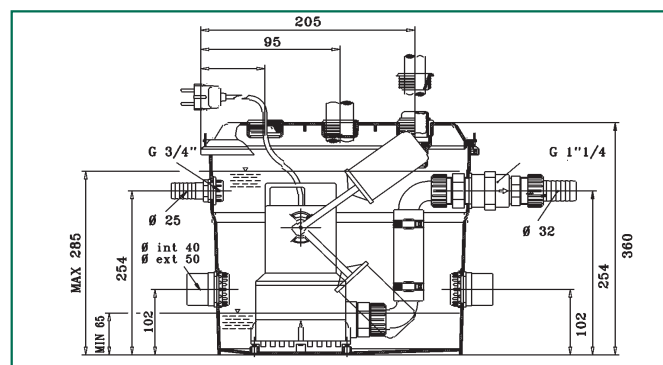
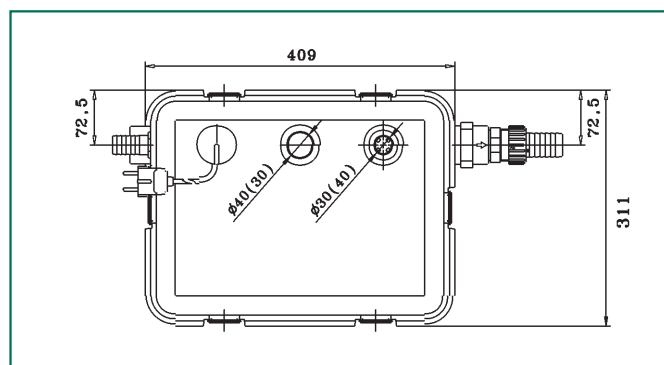
Motor insulation class: F

ELECTRICAL AND HYDRAULIC DATA



| MODEL | ELECTRICAL DATA | | | | | HYDRAULIC DATA | | | | | |
|-------------------------|------------------|-----------------|------------------------|---------|--------------------|---------------------------------|-----|-----------|-----------|----------|------------|
| | VOLTAGE 50 Hz | P1 MAX kW | P2 NOMINAL kW HP | In A | CAPACITOR μF Vc | Q m ³ /h l/min | 0 | 2,4 40 | 4,8 80 | 6 100 | 7,2 120 |
| NOVABOX 30/300.1 | 1x220-240 V ~ | 0,29 | 0,22 0,3 | 1,3 | 8 450 | H (m) | 6,9 | 5,3 | 3,2 | 2,2 | 1,2 |

DIMENSIONS AND WEIGHTS



| MODEL | A | B | C | D | E | F | H | H1 | H2 | PACKAGING DIMENSIONS | | | VOLUME m ³ | WEIGHT Kg |
|-------------------------|-----|-----|----|-----|-----|----|-----|-----|-----|----------------------|-----|----|--------------------------|--------------|
| | | | | | | | | | | L/A | L/B | H | | |
| NOVABOX 30/300.1 | 407 | 309 | 94 | 204 | 314 | 72 | 360 | 100 | 254 | 45 | 33 | 38 | 0,056 | 9,2 |